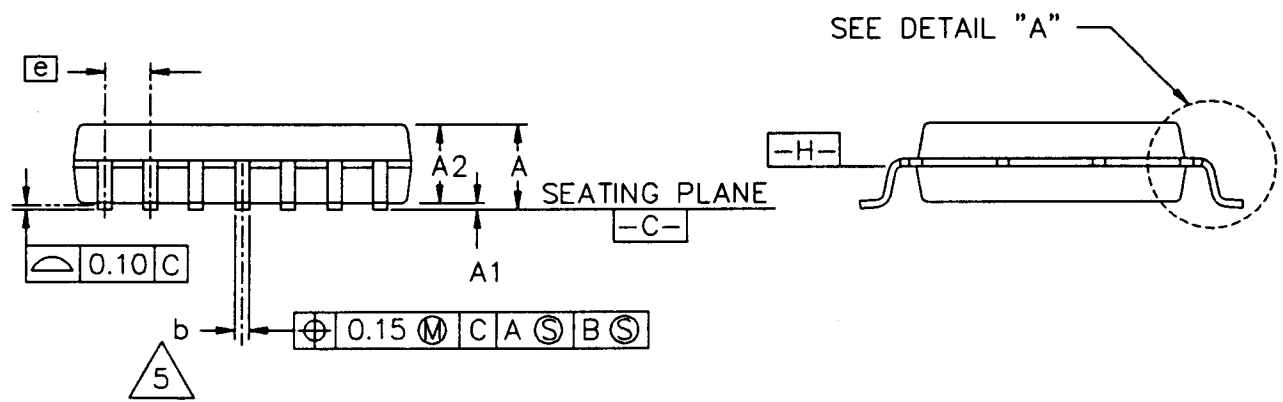
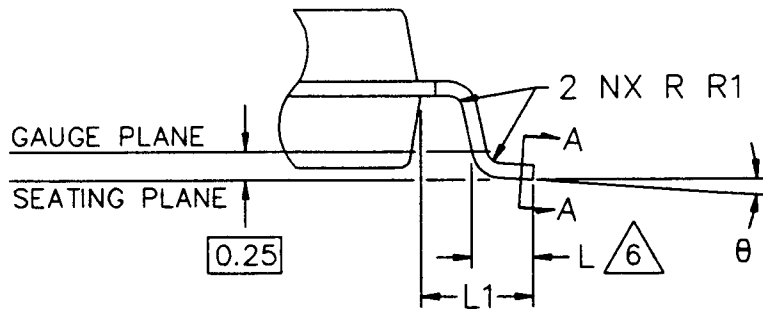


INDEX AREA
 $\left(\frac{D}{2} \times \frac{E1}{2}\right)$

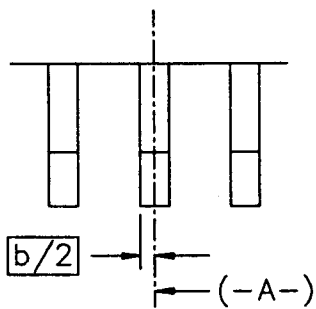


DIMENSIONS IN MM

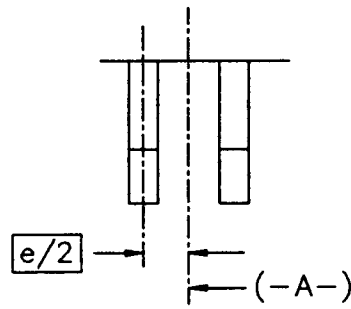
JEDEC SOLID STATE PRODUCT OUTLINES	TITLE: PLASTIC SHRINK SMALL OUTLINE PACKAGE (SSOP) - 5.3mm BODY WIDTH, 0.65mm PITCH, 1.25mm LEAD LENGTH R-PDSO-G	ISSUE B	DATE JAN 94	MO-150	SHEET 1 OF 3
--	---	------------	----------------	--------	-----------------



DETAIL "A"

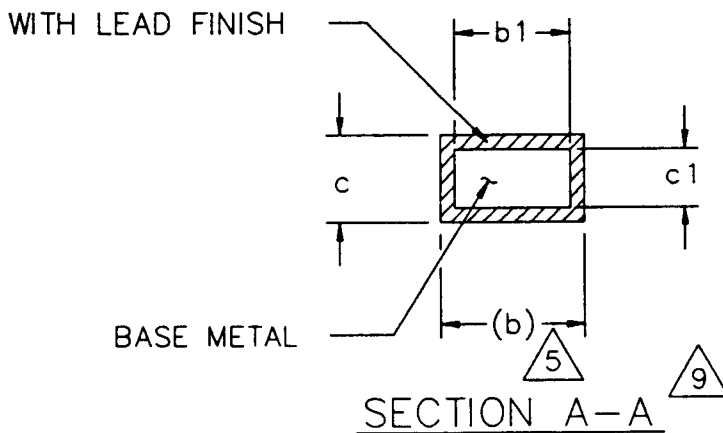


ODD LEAD SIDES



EVEN LEAD SIDES

DETAIL "B"



SECTION A-A

DIMENSIONS IN MM

JEDEC SOLID STATE PRODUCT OUTLINES	TITLE: PLASTIC SHRINK SMALL OUTLINE PACKAGE (SSOP) - 5.3mm BODY WIDTH, 0.65mm PITCH, 1.25mm LEAD LENGTH R-PDSO-G	ISSUE B	DATE JAN 94	MO-150	SHEET 2 OF 3
--	---	------------	----------------	--------	-----------------

(ALL DIMENSIONS SHOWN IN MILLIMETERS)											
SYMBOL	COMMON DIMENSIONS			NOTE	VARIATIONS	VARIATIONS			N	REF.	ISSUE
	MIN.	NOM.	MAX.			D	MIN.	NOM.			
A	--	--	2.0		AA	2.70	3.00	3.30	8	11-361 ↑ ↓ 11-366	A ↑ ↓ A B
A1	0.05	--	--		AB	5.90	6.20	6.50	14		
A2	1.65	1.75	1.85		AC	5.90	6.20	6.50	16		
b	0.22	--	0.38	5,9	AD	6.90	7.20	7.50	18		
b1	0.22	0.30	0.33	9	AE	6.90	7.20	7.50	20		
c	0.09	--	0.25	9	AF	7.90	8.20	8.50	22		
c1	0.09	0.15	0.21	9	AG	7.90	8.20	8.50	24		
D	SEE VARIATIONS			4	AH	9.90	10.20	10.50	28		
E	7.40	7.80	8.20		AJ	9.90	10.20	10.50	30		
E1	5.00	5.30	5.60	4	AK	12.30	12.60	12.90	38		
[e]	0.65 BSC										
L	0.55	0.75	0.95	6							
L1	1.25 REF.										
N	SEE VARIATIONS			7							
R1	0.09	--	--								
θ	0°	4°	8°								
NOTE	1, 2, 3, 8										
REF.	11-361, 11-366										
ISSUE	B										

NOTES:

- 1 ALL DIMENSIONS ARE IN MILLIMETERS.
- 2 DIMENSIONING AND TOLERANCING PER ANSI Y14.5M-1982.
- 3 SYMBOLS ARE DEFINED IN THE "MO SERIES SYMBOL LIST" IN SECTION 2.2 OF PUBLICATION 95.
- 4 "D" AND "E1" DIMENSIONS DO NOT INCLUDE MOLD FLASH OR PROTRUSIONS, BUT DO INCLUDE MOLD MISMATCH AND ARE MEASURED AT DATUM PLANE \overline{H} , MOLD PARTING LINE. MOLD FLASH OR PROTRUSION SHALL NOT EXCEED 0.20 MM PER SIDE.
- 5 DIMENSION b DOES NOT INCLUDE DAMBAR PROTRUSION/INTRUSION. ALLOWABLE DAMBAR PROTRUSION SHALL BE 0.13 MM TOTAL IN EXCESS OF b DIMENSION AT MAXIMUM MATERIAL CONDITION. DAMBAR INTRUSION SHALL NOT REDUCE DIMENSION b BY MORE THAN 0.07 MM AT LEAST MATERIAL CONDITION.
- 6 TO BE DETERMINED AT THE SEATING PLANE-DATUM "C".
- 7 "N" IS THE NUMBER OF TERMINAL POSITIONS.
- 8 A VISUAL INDEX FEATURE MUST BE LOCATED WITHIN THE CROSSHATCHED AREA.
- 9 THESE DIMENSIONS APPLY TO THE FLAT SECTION OF THE LEAD BETWEEN 0.10 AND 0.25 MM FROM THE LEAD TIP.

JEDEC SOLID STATE PRODUCT OUTLINES	TITLE: PLASTIC SHRINK SMALL OUTLINE PACKAGE (SSOP) - 5.3mm BODY WIDTH, 0.65mm PITCH, 1.25mm LEAD LENGTH R-PDSO-G	ISSUE B	DATE JAN 94	MO-150	SHEET 3 OF 3
--	---	------------	----------------	--------	-----------------